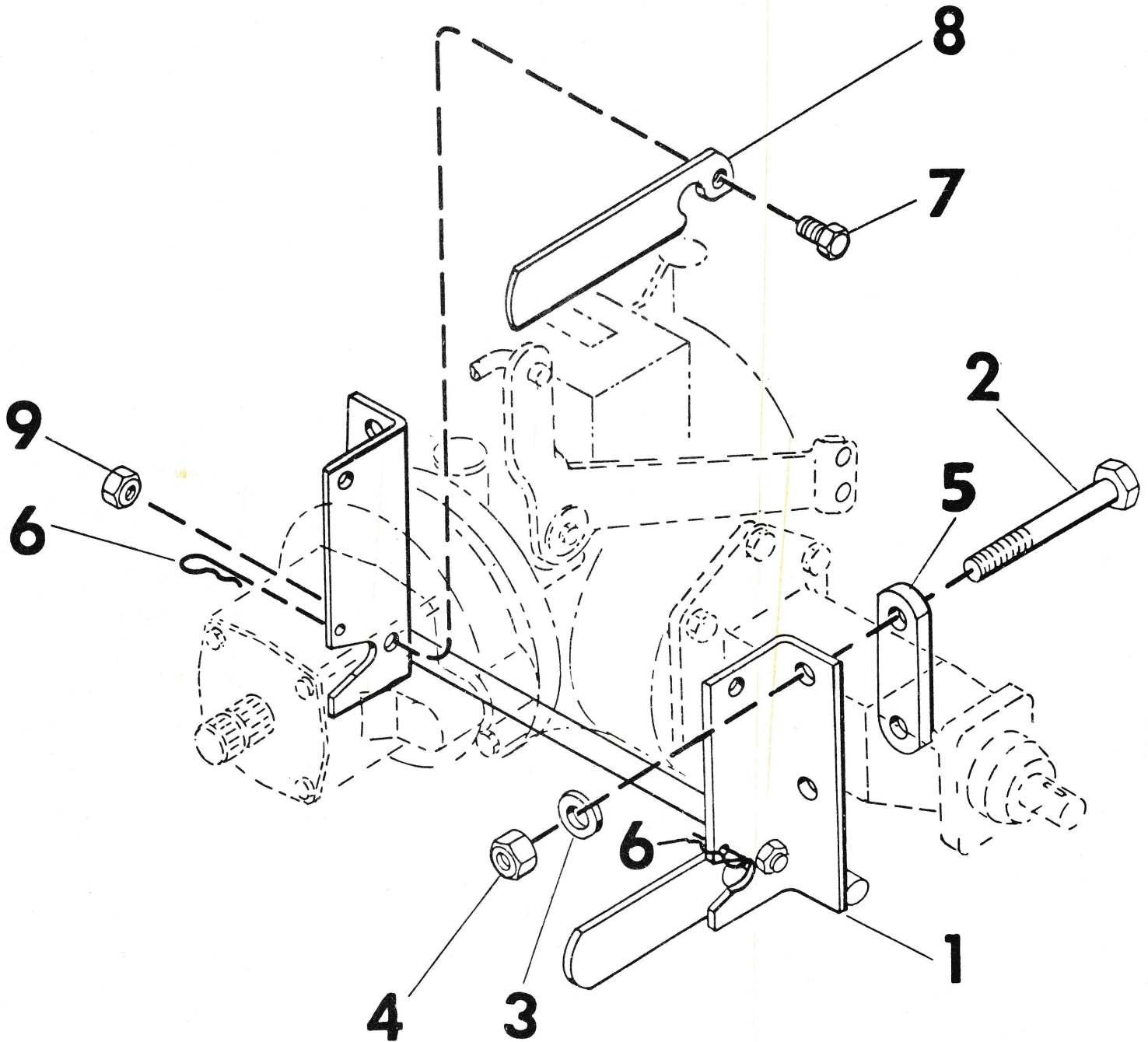


ILLUSTRATED REAR AXLE SUPPORT KIT PARTS LIST

Model Number 15876E1
 Effective Date 8-01-73
 Form Number 19772P1



<u>ITEM NO.</u>	<u>PART NO.</u>	<u>DESCRIPTION</u>
1	11869P2	Frame Assembly Axle Connector
2	271733	5/8-11 x 4-1/2 Hex Hd Bolt
3	121574	5/8 Medium Spring Lockwasher
4	124589	5/8-11 Hex Nut
5	11870P2	Rear Axle Tie Strap
6	14413P2	Hair Pin Cotter
7	180122	3/8-16 x 1 Hex Hd Bolt
8	15725P1	Latch
9	456004	3/8-16 Washer Insert Locknut